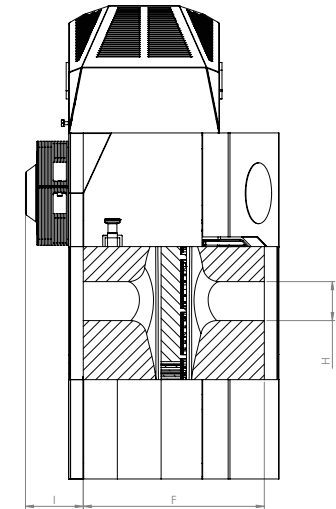
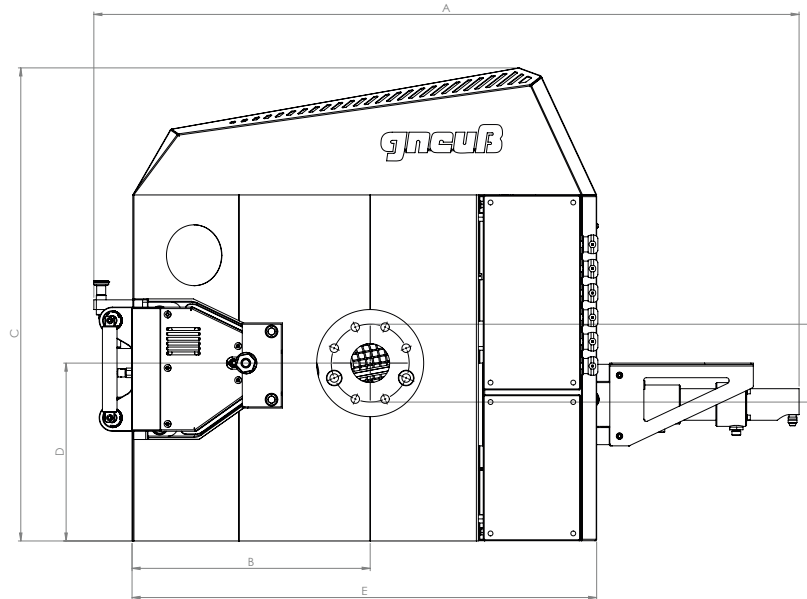


RSFgenius Series

Technical Data



Subject to modifications.

filter type	screen area in cm ²		heating capacity in watt		electric heater zones ⁽¹⁾	pressure in bar max. ⁽²⁾	temp. in °C max. ⁽³⁾	Q in kg/h ⁽⁴⁾	dimensions in mm								weight in kg	
	active	capacity/h	electric	liquid					A	B	C	D	E	F	G	H ⁽⁵⁾		I
RSFgenius 45	55	1.700	7.960	9.000	3	350	320	260	1.055	330	765	210	485	196	110	20	120	275
RSFgenius 60	100	2.200	8.200	9.000	3	350	320	470	1.197	325	660	228	475	196	110	25	197	305
RSFgenius 75	150	2.800	8.600	9.000	3	350	320	700	1.256	350	755	240	535	232	140	25	188	420
RSFgenius 90	255	4.400	18.480	24.000	4	300	320	1.100	1.379	459	896	317	640	328	160	25	210	925
RSFgenius 110	305	5.200	18.480	24.000	4	300	320	1.430	1.379	459	896	317	640	328	160	25	210	925
RSFgenius 150	450	7.000	18.740	24.000	4	300	320	2.100	1.449	488	972	365	710	372	160	35	211	1.200
RSFgenius 175	700	9.700	26.200	36.000	4	250	320	3.300	1.815	630	1.263	475	890	419	220	40	240	2.200
RSFgenius 200	970	12.300	39.000	48.000	6	200	320	4.560	1.955	705	1.429	550	1.040	566	250	45	239	3.800
RSFgenius 250	1.350	15.800	45.000	48.000	6	200	320	6.350	2.030	780	1.563	620	1.110	622	250	50	284	4.890
RSFgenius 330	2.150	23.900	3500	60.000	-	200	320	10.100	2.637	976	1.831	740	1.375	704	250	50	317	8.140
RSFgenius 400	2.800	30.900	4000	72.000	-	180	320	13.150	2.869	1.134	2.106	845	1.607	852	350	50	256	13.000

1 – 1 heater zone for liquid heating | 2 – high pressure versions available as an option | 3 – up to 400 °C possible as an option

4 – based on: 10.000 Pas, 60 µm and Δ p 40 bar | 5 – The dimension „H” can be freely chosen, the values given are minimum values.

Also available in ATEX design.